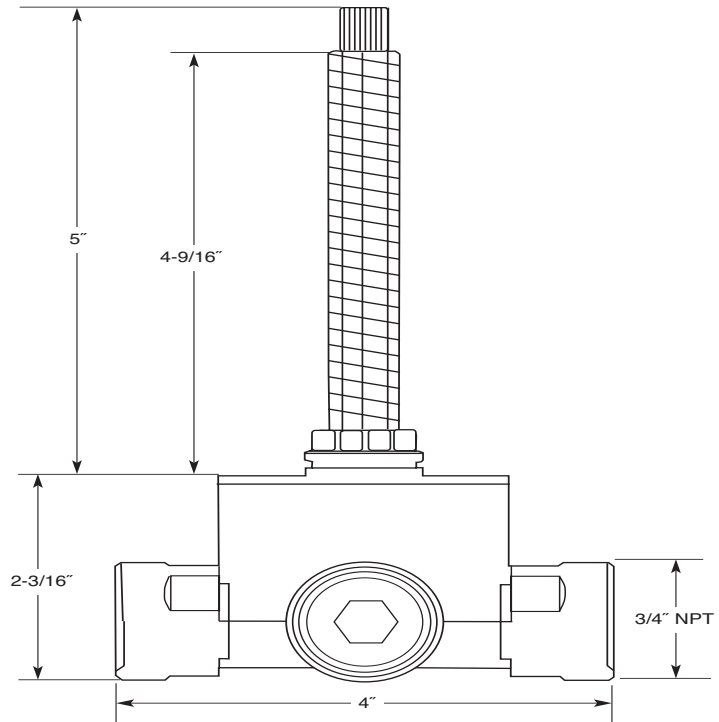


4120

“4-Port” In-Wall Diverter Valve (1 in/3 out)

All 3 outlets should be used. If only two are needed, a loop should be plumbed. Capping a port is not recommended, but if done, a capped port must not be used as a stop.



Telephone: 312-243-0770 • Fax: 312-243-1661 • Toll-Free: 888-301-8787 • www.micodesigns.com